

# RVU6100

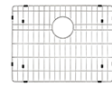
UNDERMOUNT LAUNDRY SINK

## MATERIAL

- True 16 Gauge Thickness
- Premium T304 Grade Stainless Steel
- 18/10 Chromium/Nickel Content
- Commercial Brushed Finish

## FEATURES

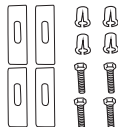
- Heavy duty sound guard padding and undercoating
- Slanted bottom with elegant drain grooves for easy draining
- Extra deep sink for utility room



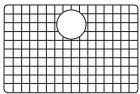
## IN THE BOX



Basket Strainer  
[RVA1025]



Mounting Clips  
[RVA11031]



Rinse Grid  
[RVA67100]



Cut-out  
Template

## NOMINAL DIMENSIONS

- **Exterior:** 23" (wide) x 18" (front-to-back)
- **Interior Bowl:** 21" (wide) x 16" (front-to-back)
- **Bowl Depth:** 12-3/8"
- **Minimum Cabinet Size:** 25" wide
- **Drain Hole Size:** 3 1/2"

## Installation Type:

Undermount

## Inside Corners:

Zero Radius

## Drain Location:

Rear Center

# OPTIONAL ACCESSORIES (SOLD SEPARATELY)

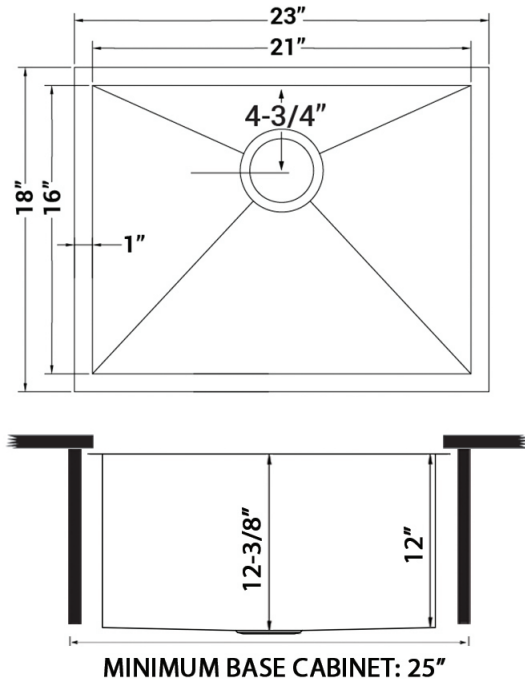


Deep Basket  
Disposal Flange  
[RVA1049ST]



Drain Cover  
[RVA1035]

## DIMENSIONS



Register your product at [www.ruvati.com/register](http://www.ruvati.com/register).